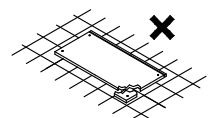
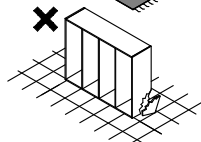
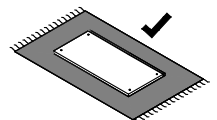
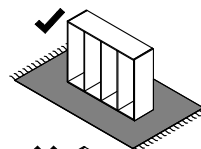
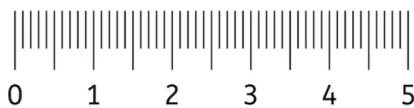
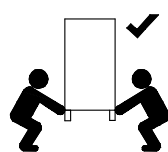
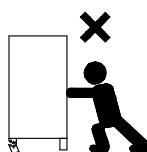
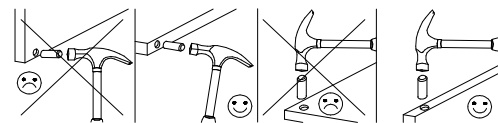
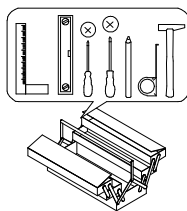
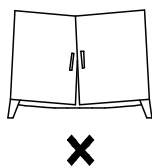
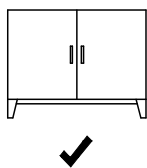
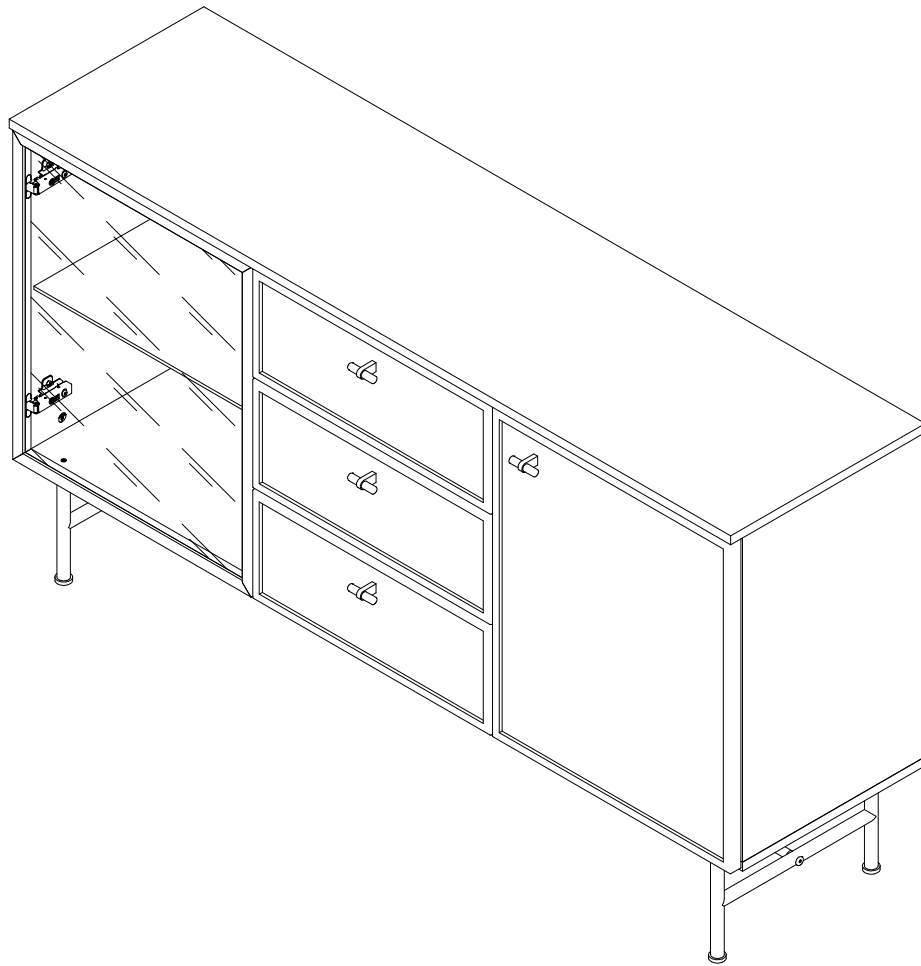
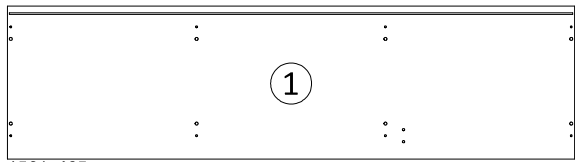


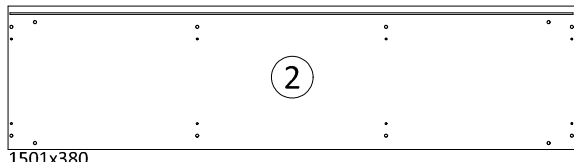
ELORA

R-7

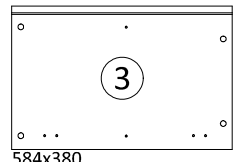




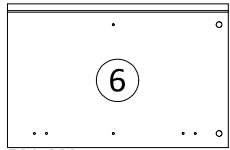
1501x405



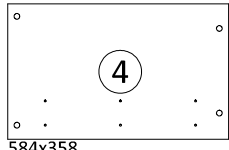
1501x380



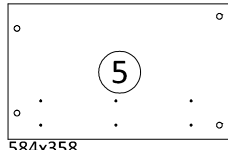
584x380



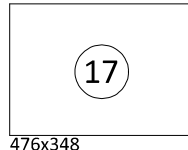
584x380



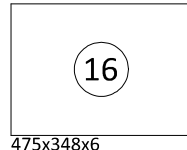
584x358



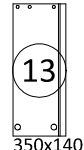
584x358



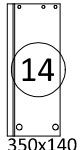
476x348



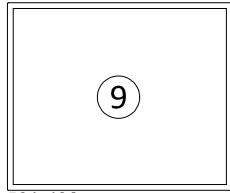
475x348x6



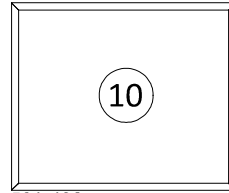
350x140



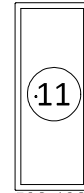
350x140



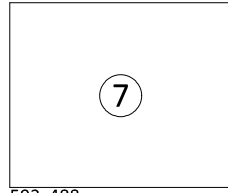
594x496



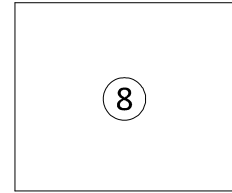
594x496



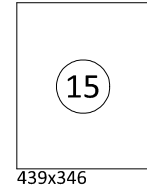
596x196



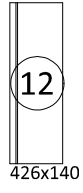
592x488



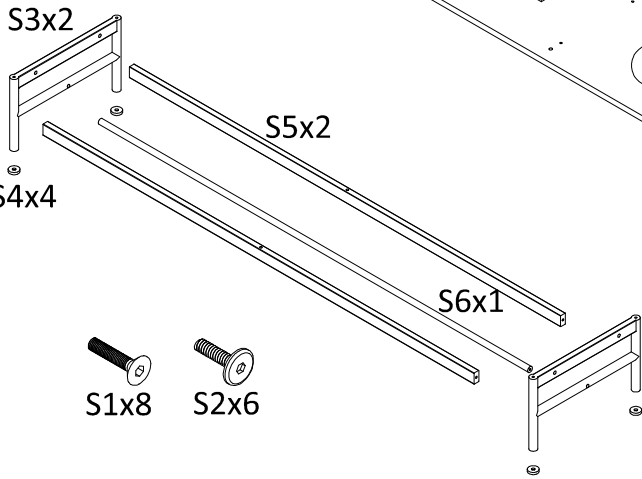
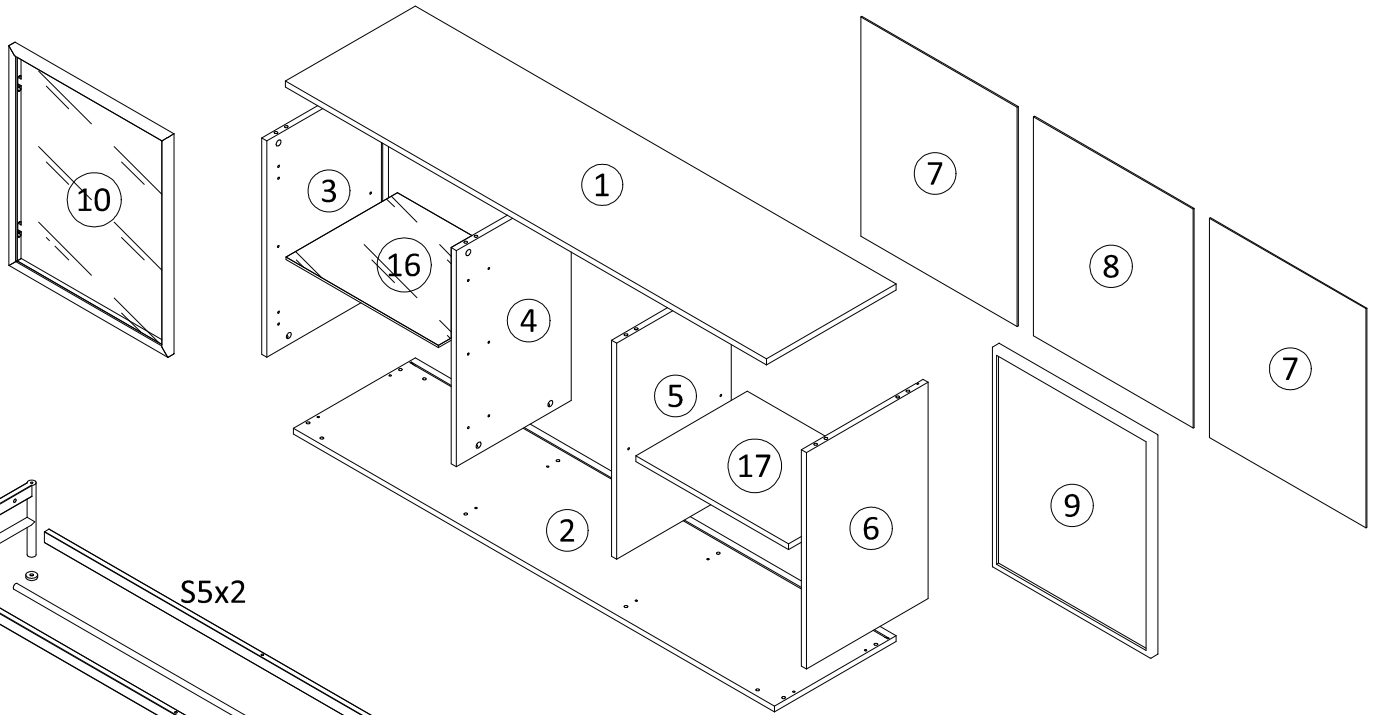
592x498



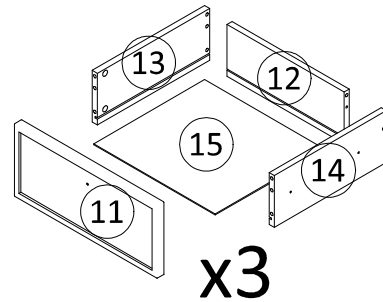
439x346



426x140

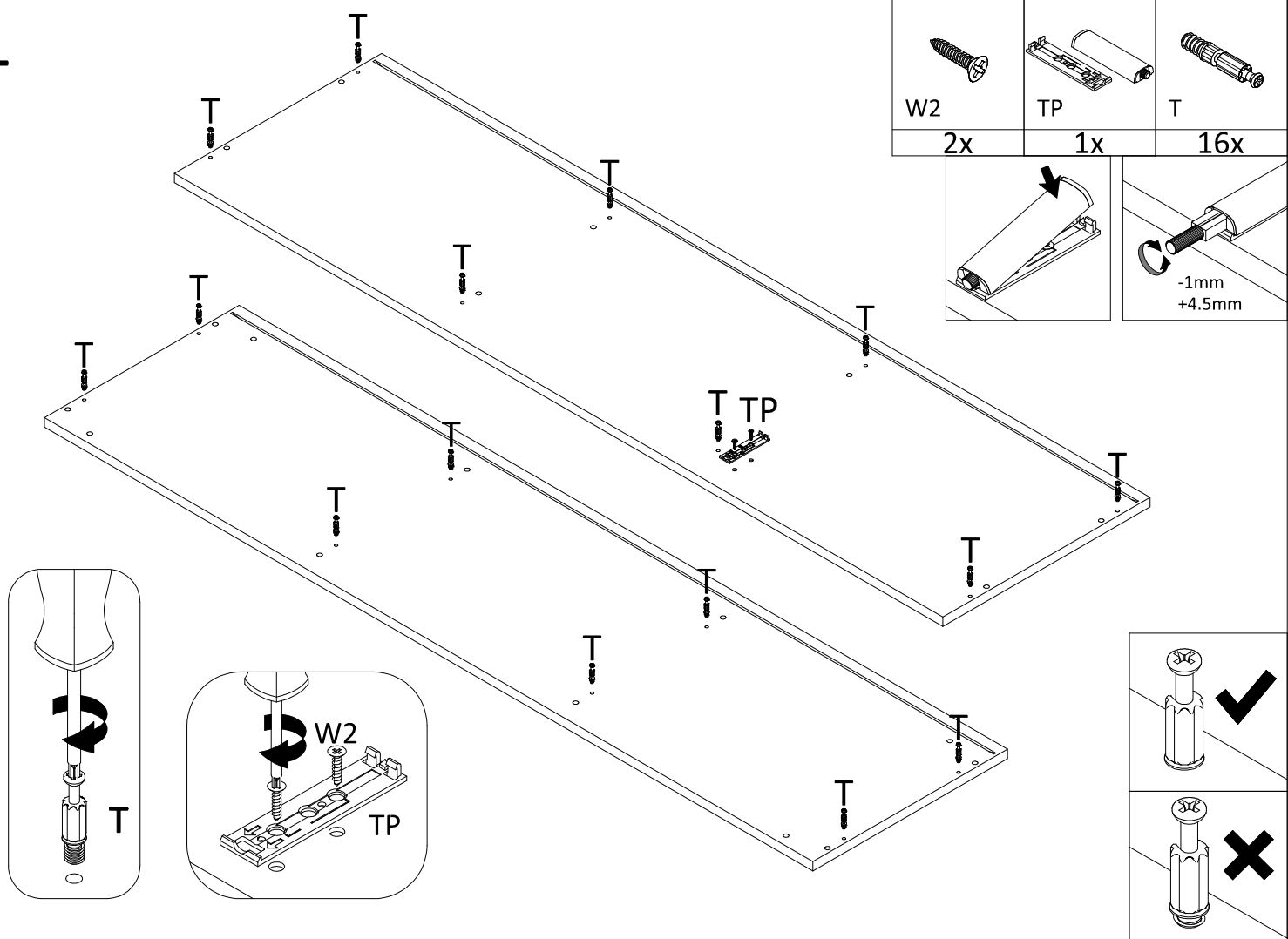


S1x8 S2x6

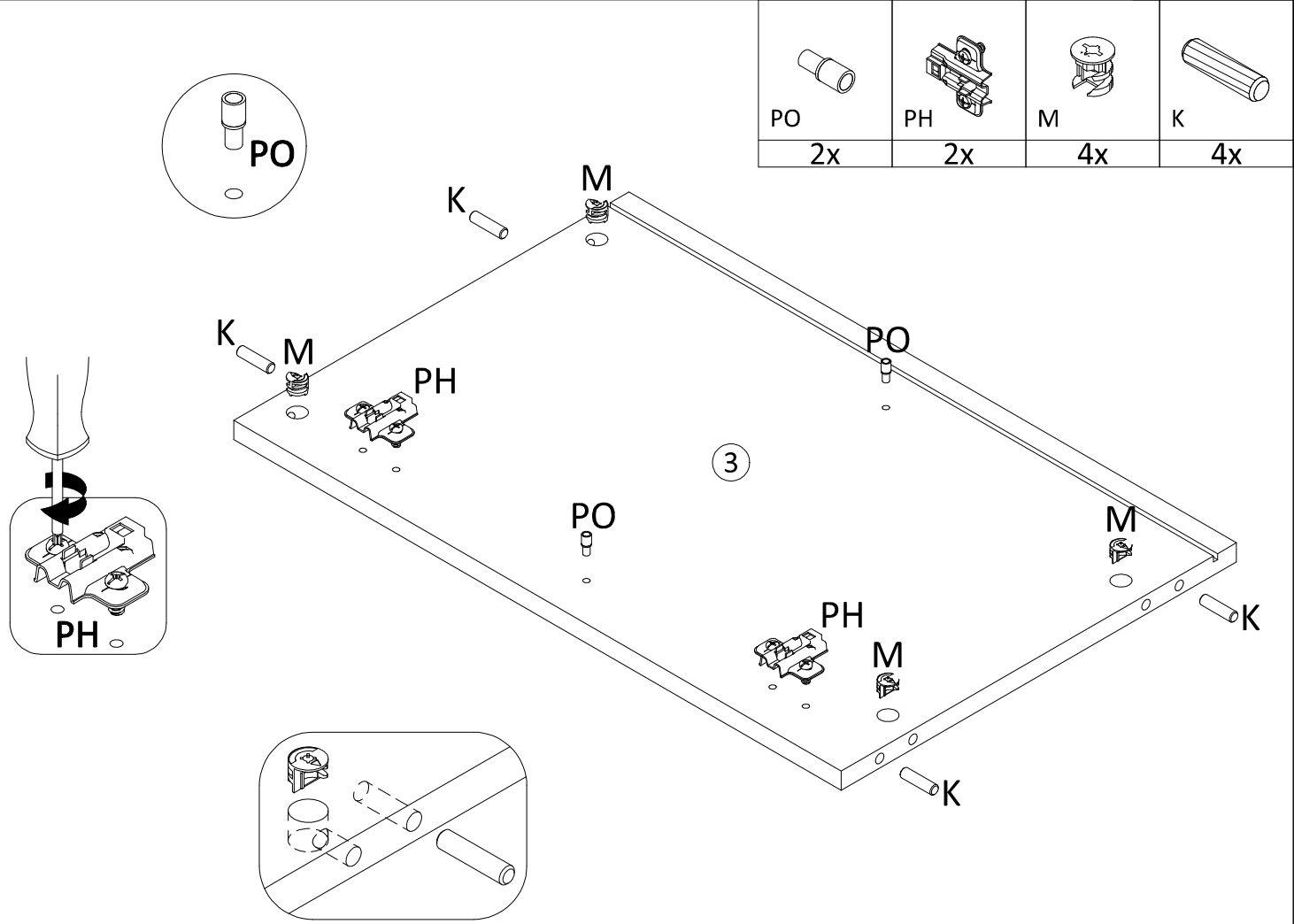


x3

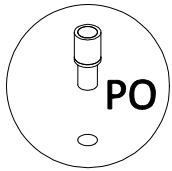
1



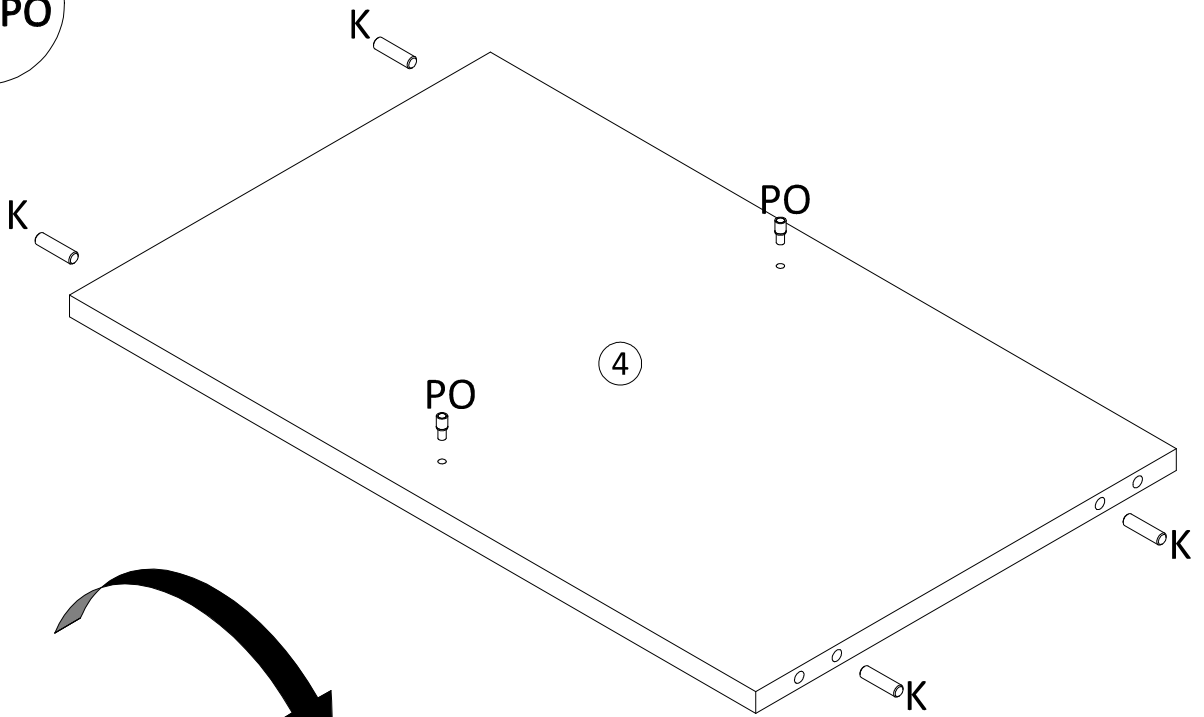
2



3



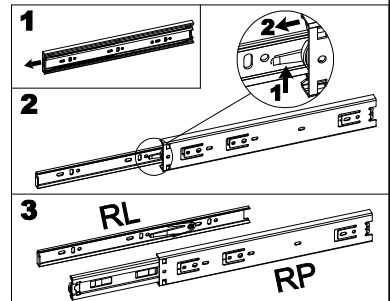
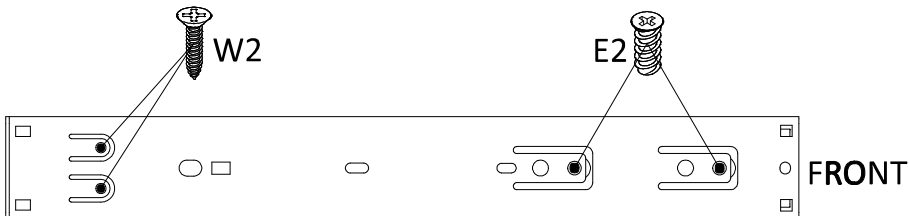
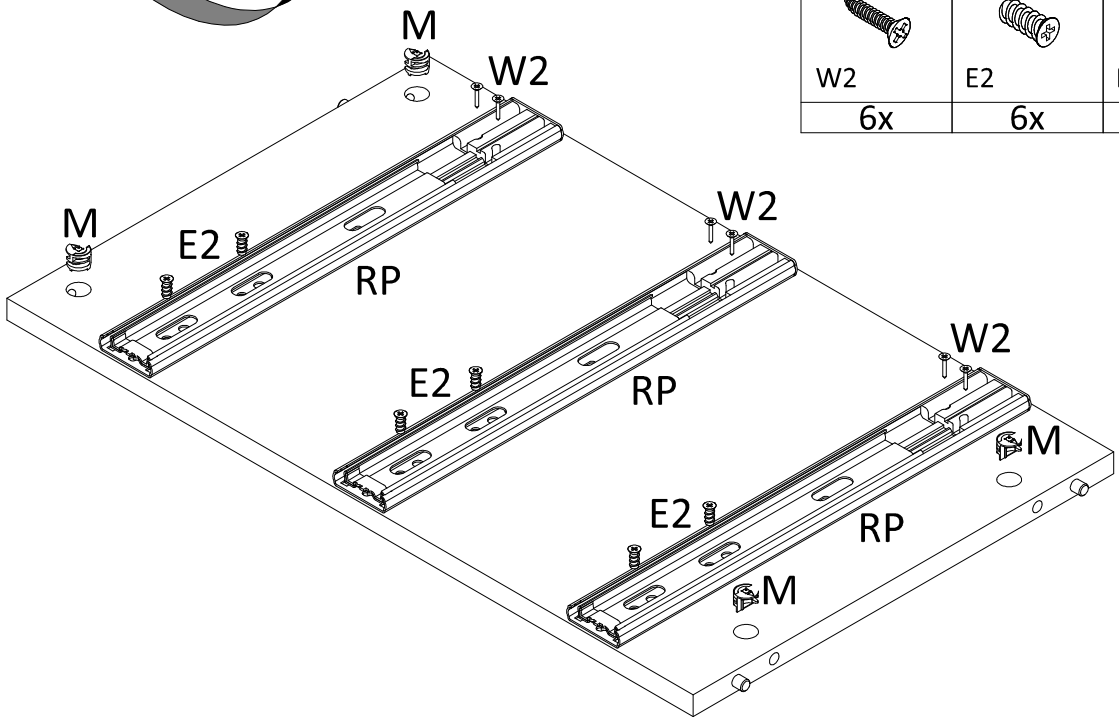
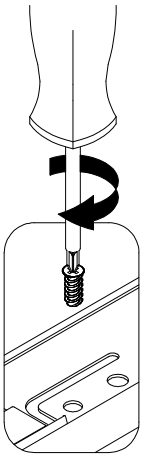
PO	K
2x	4x



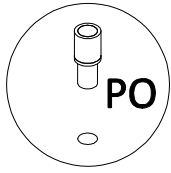
180°

4

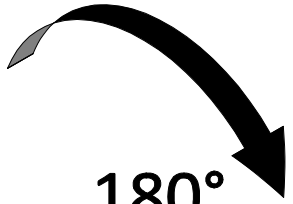
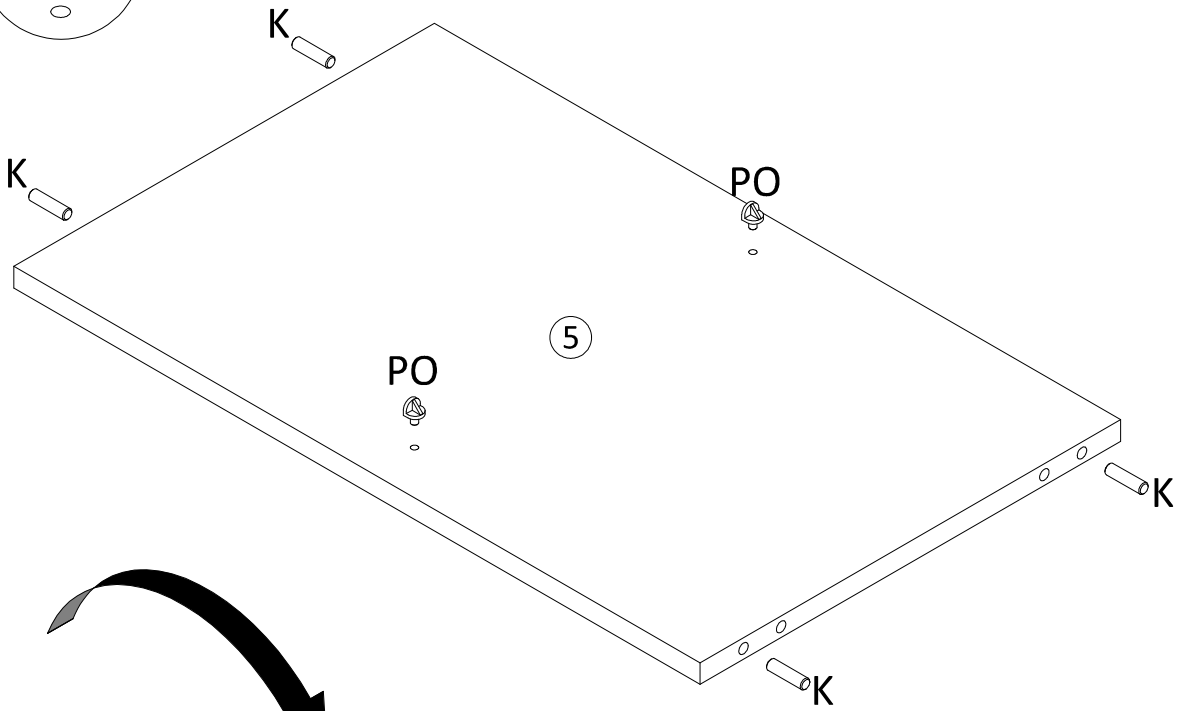
W2	E2	M
6x	6x	4x



5



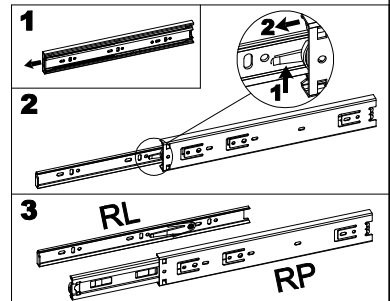
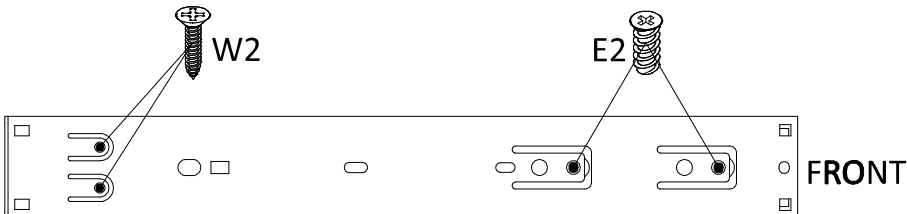
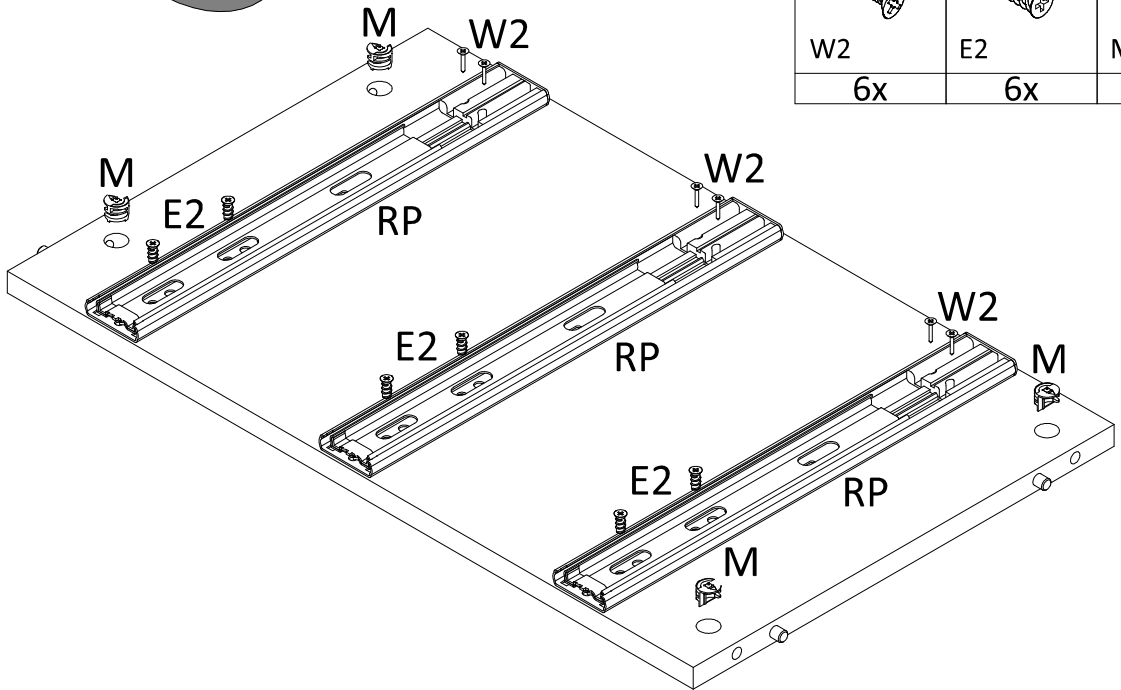
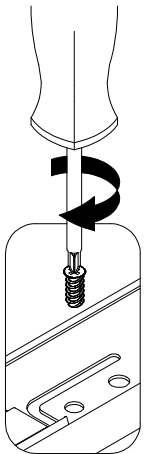
P	K
2x	4x



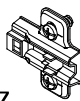


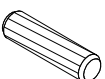
180°

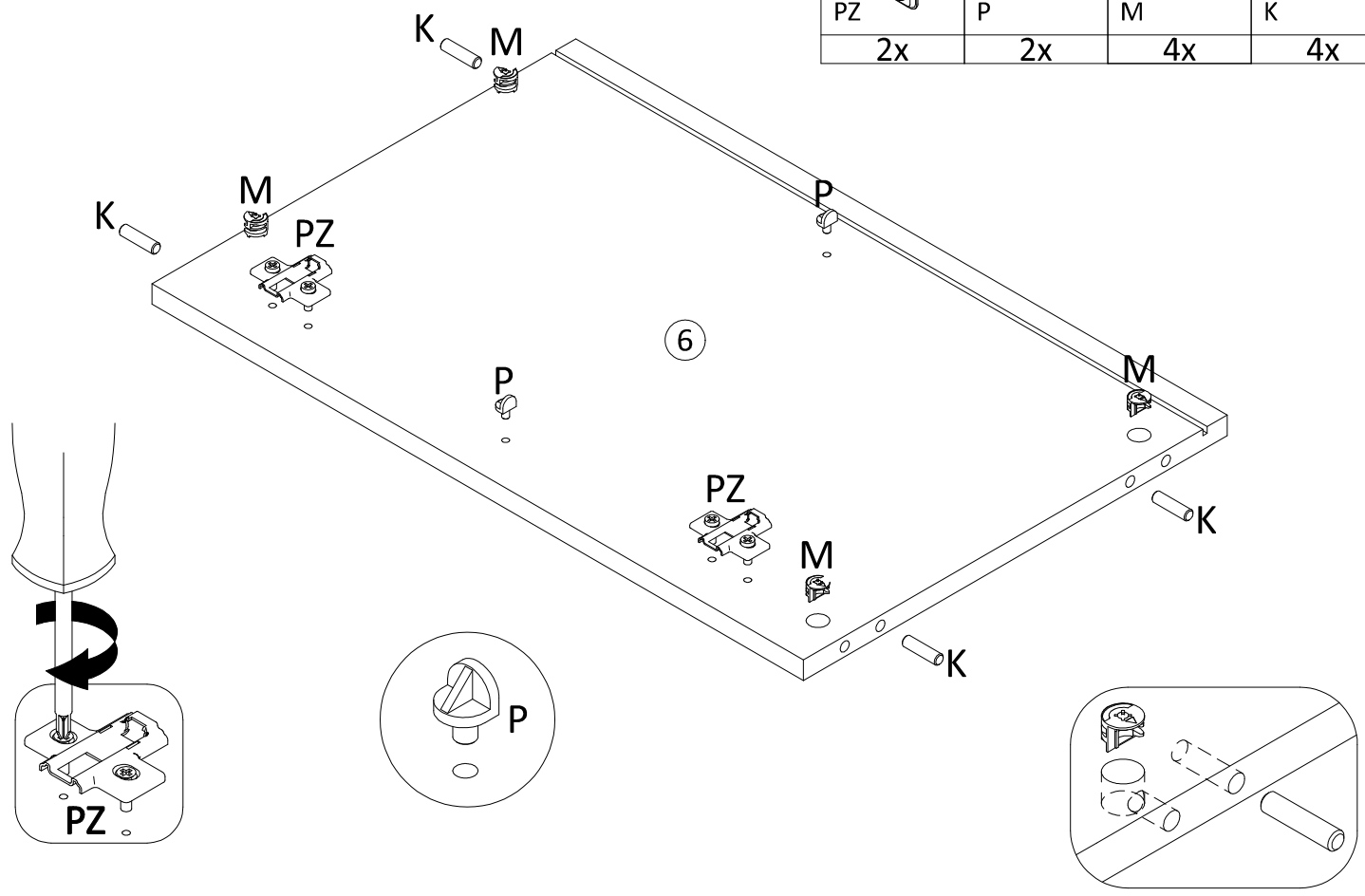
6

W2	E2	M
6x	6x	4x

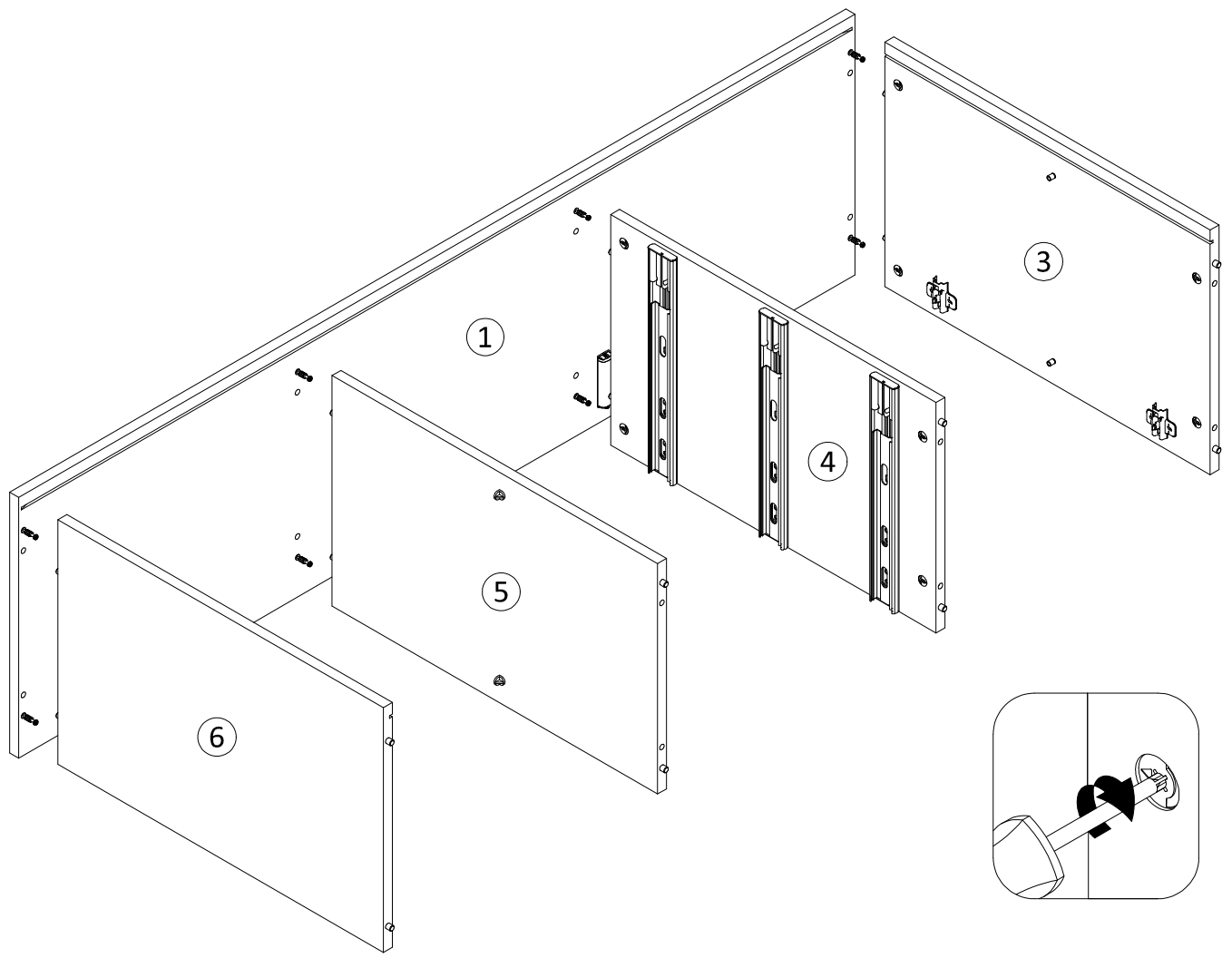


7

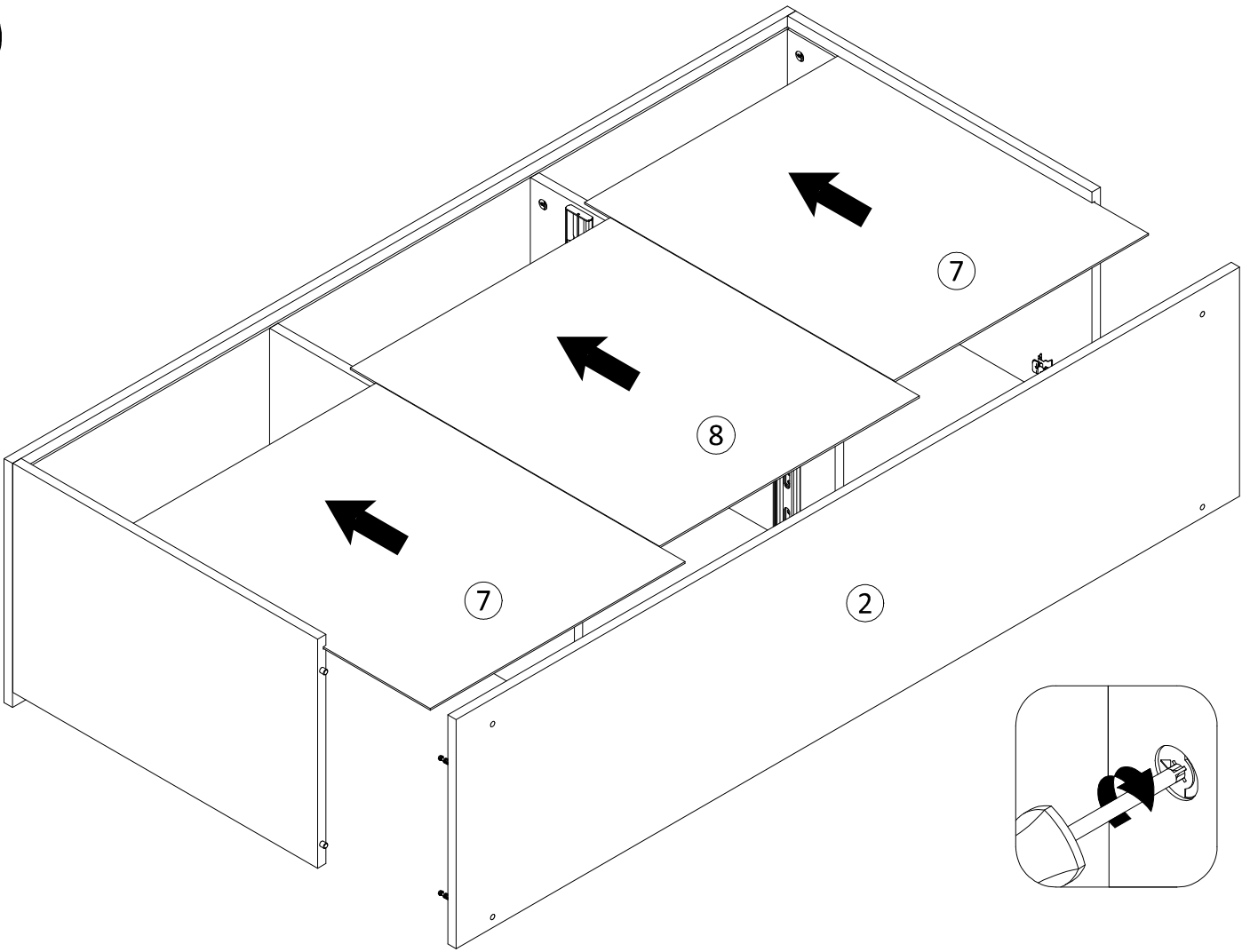
			
PZ	P	M	K
2x	2x	4x	4x



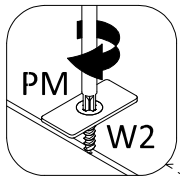
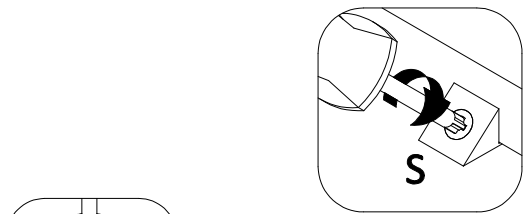
8



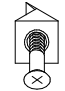


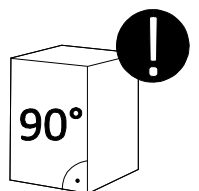
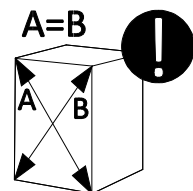
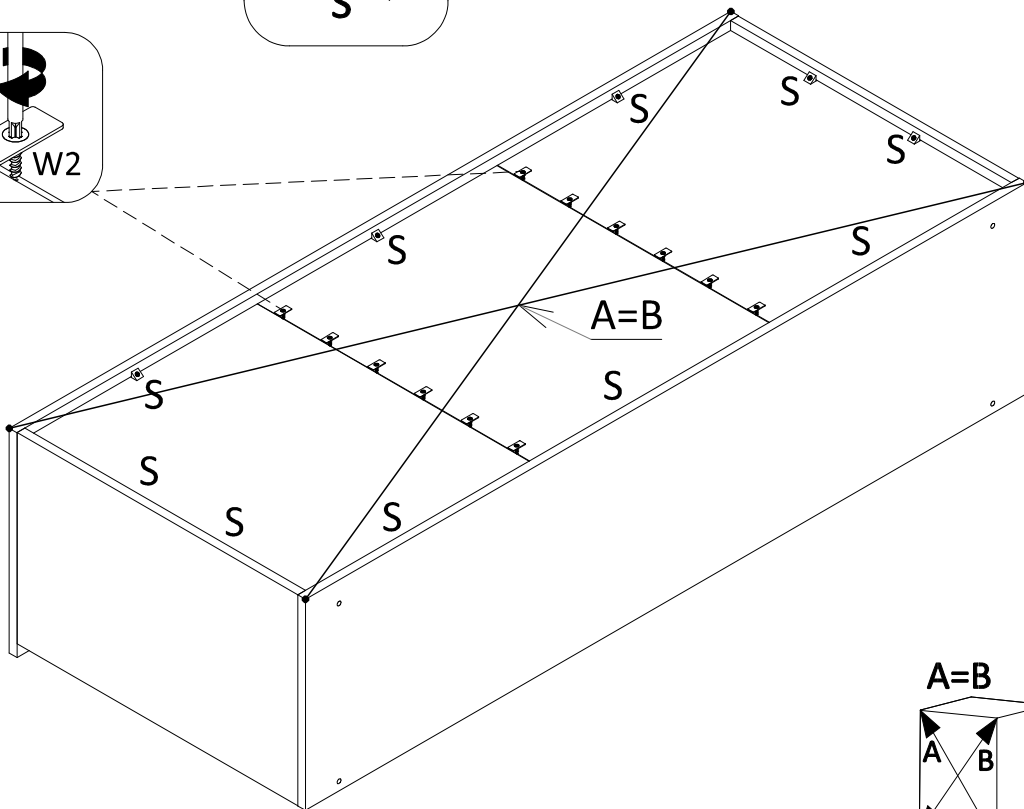
9



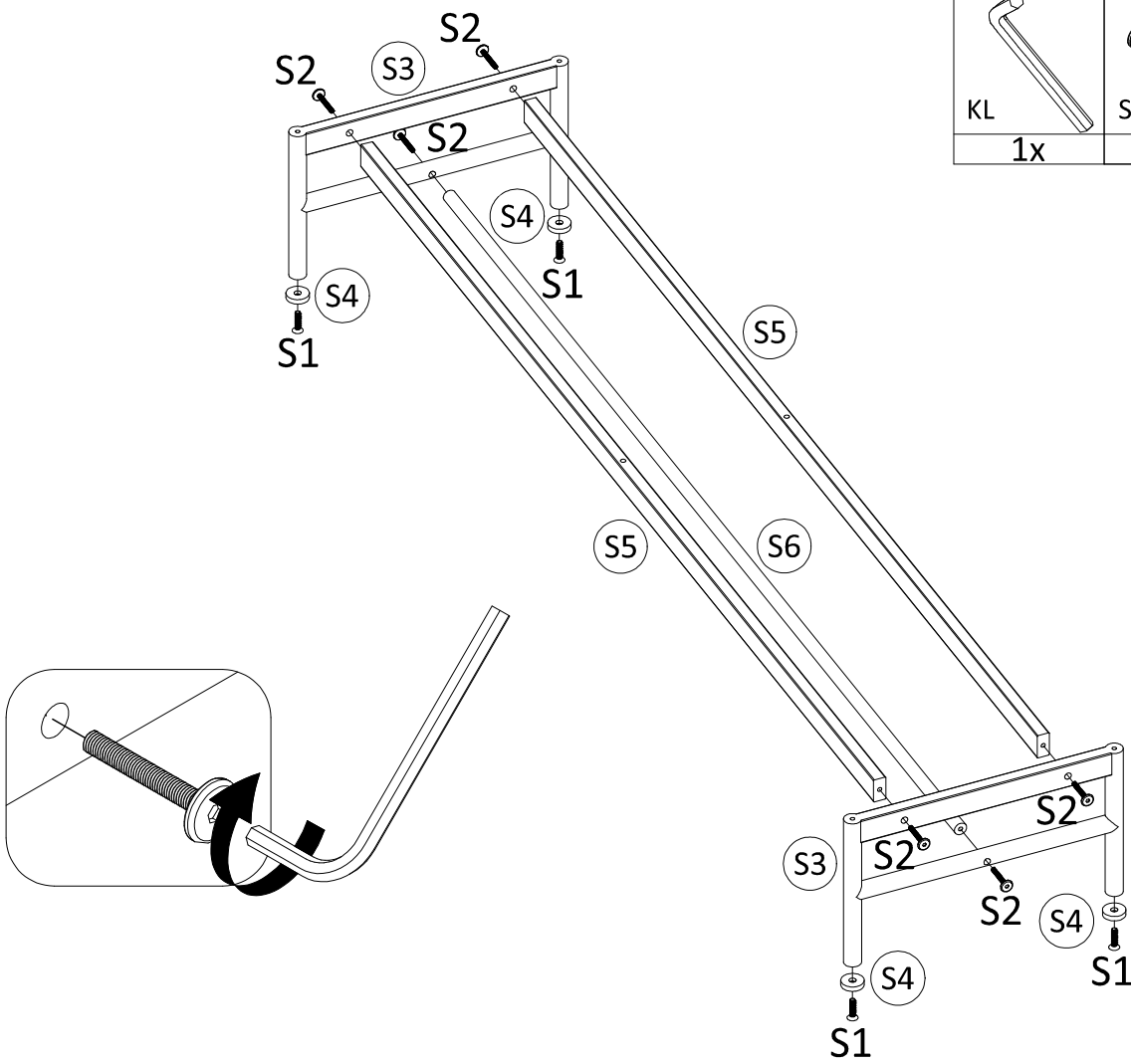
10

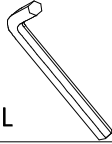
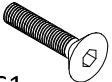
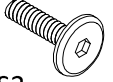


		
W1	PM	S
12x	12x	10x

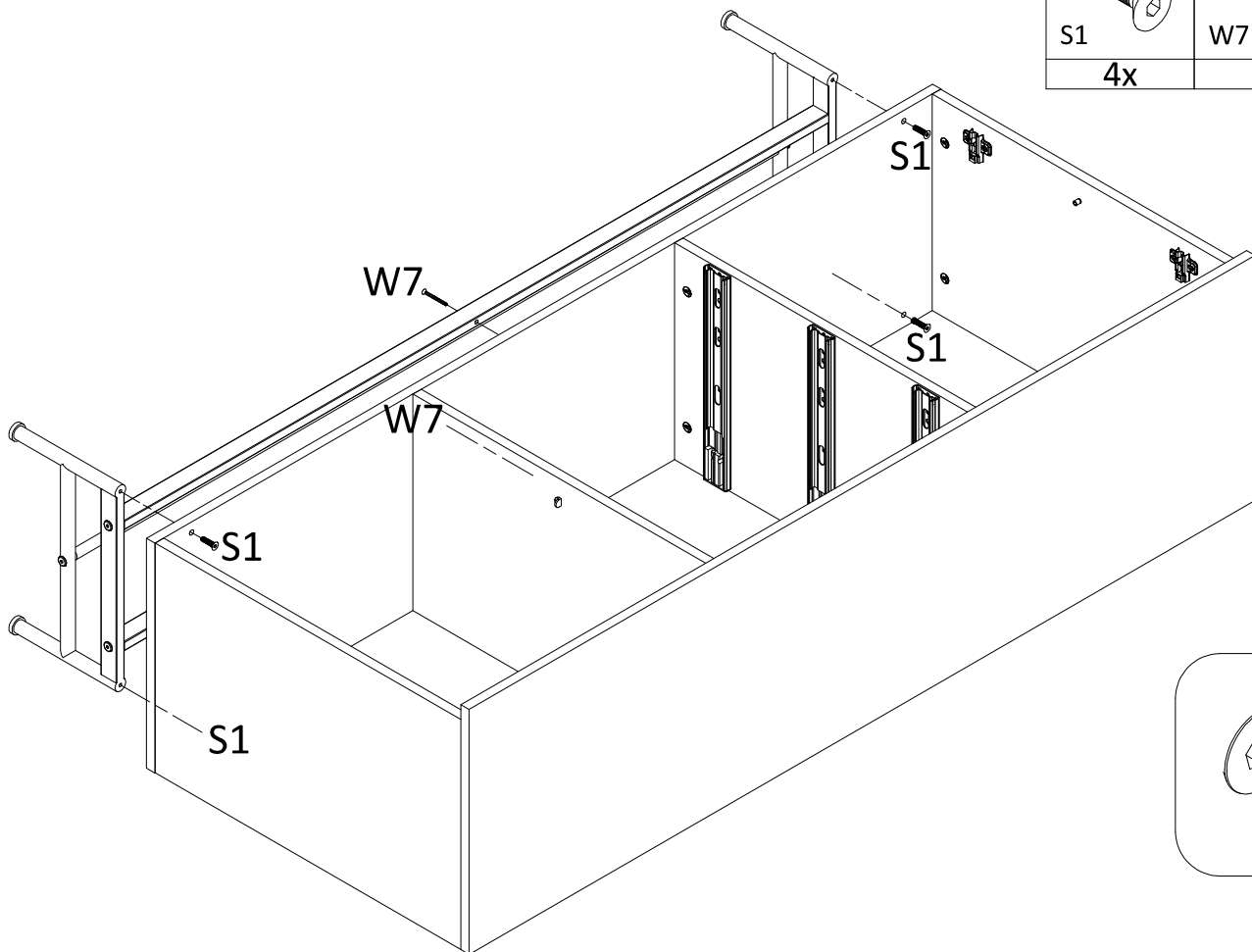


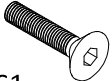
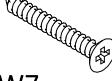
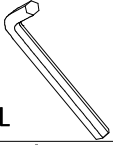
11




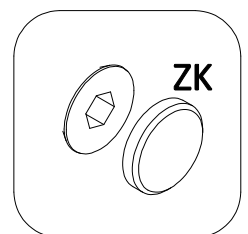
		
KL	S1	S2
1x	4x	6x

12

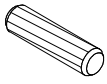
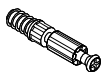


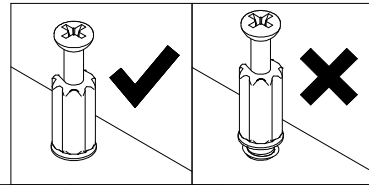
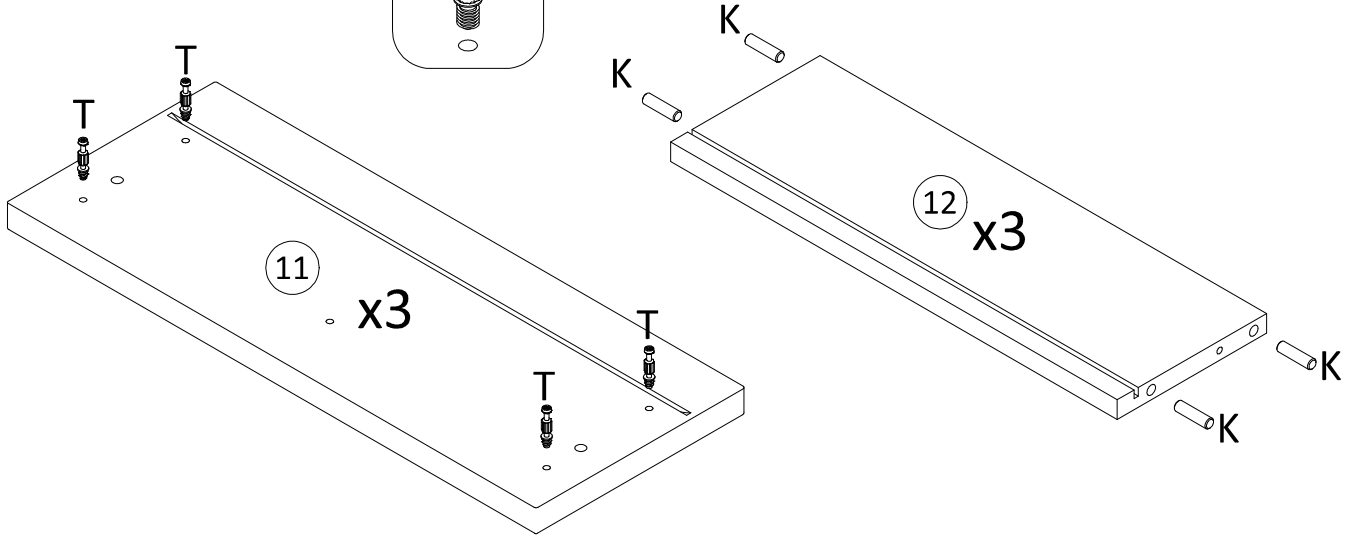
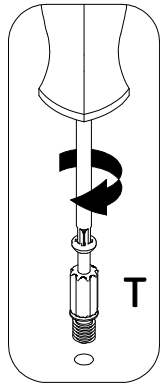
		
S1	W7	KL
4x	2x	1x


ZK
x4

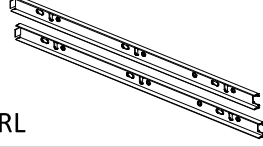


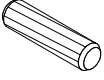


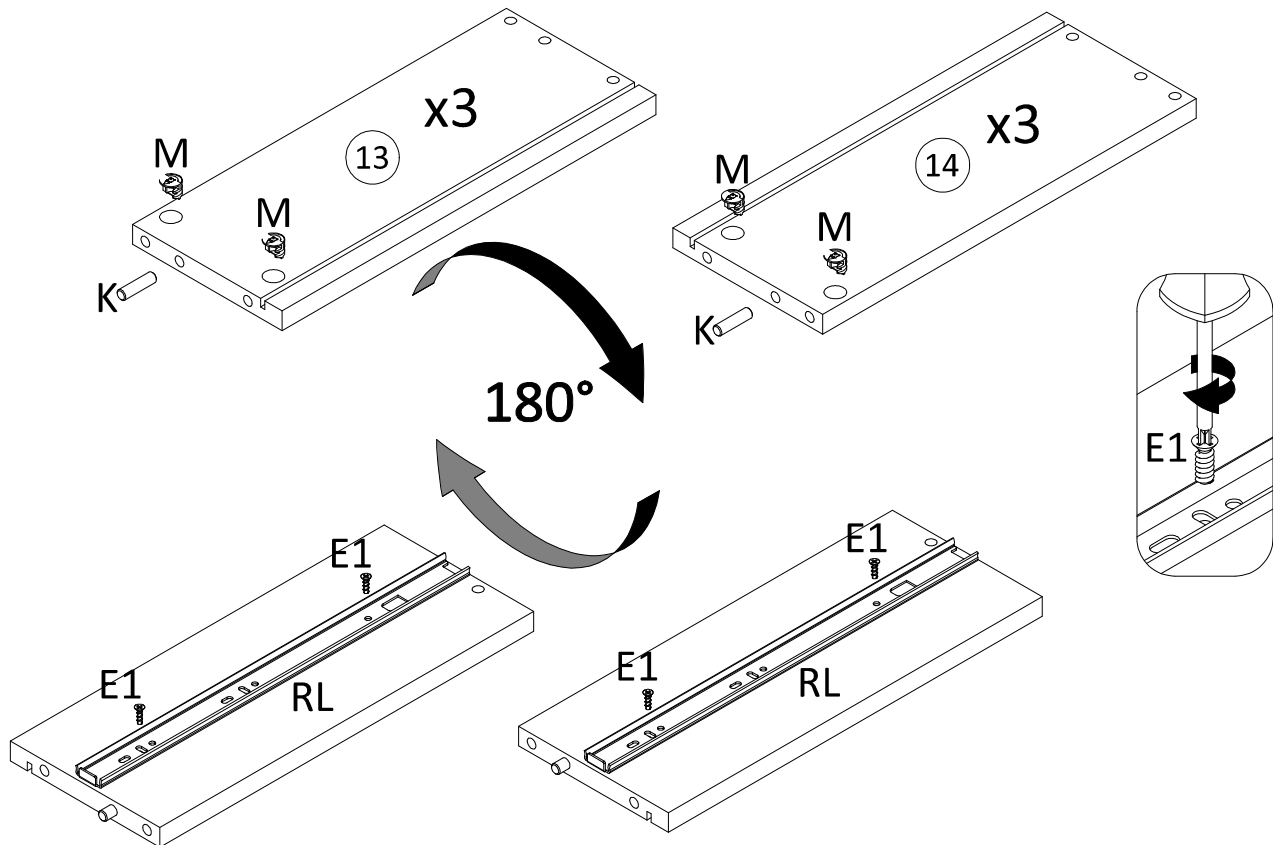
13

	
K	T
12x	12x

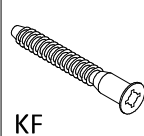
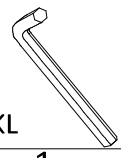


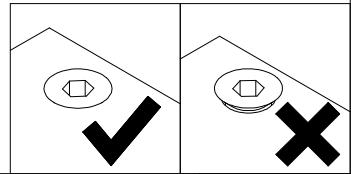
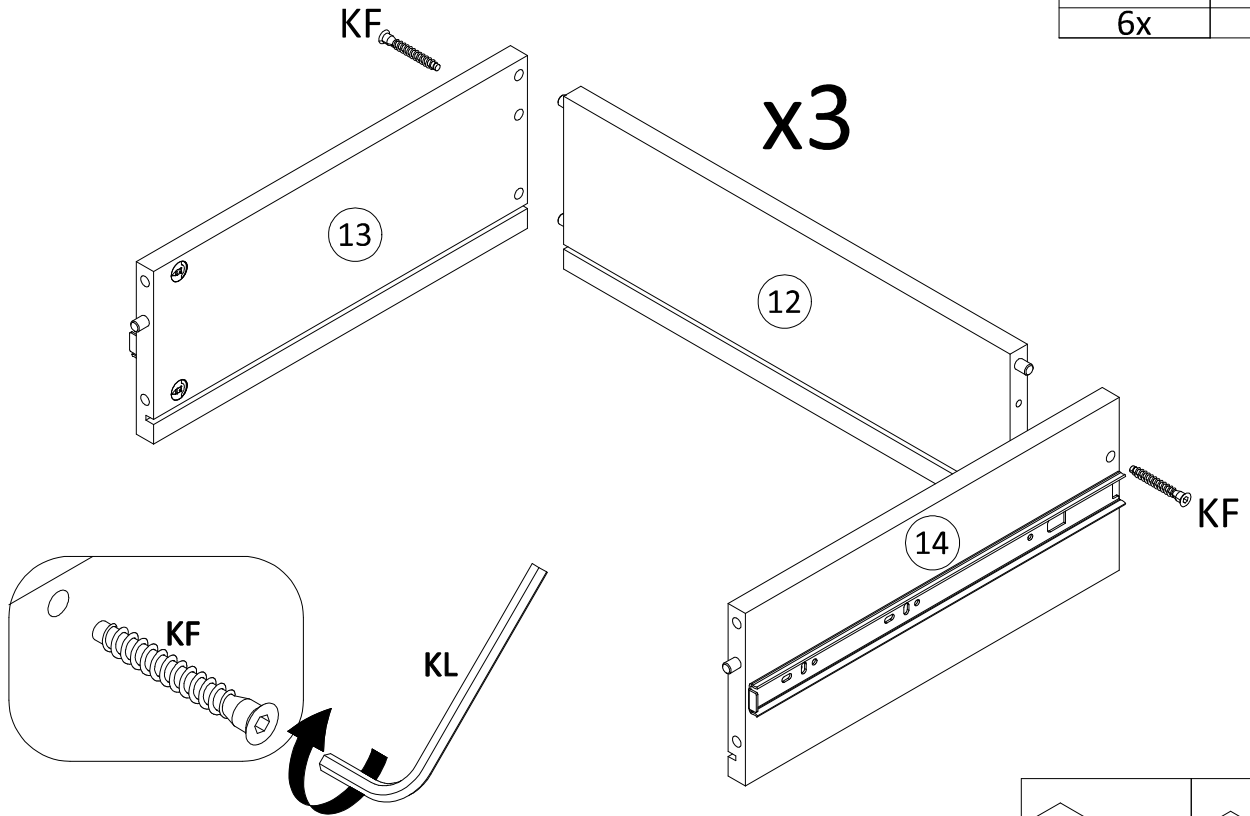
14

			
RL	E1	M	K
3x	12x	12x	6x

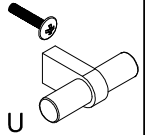


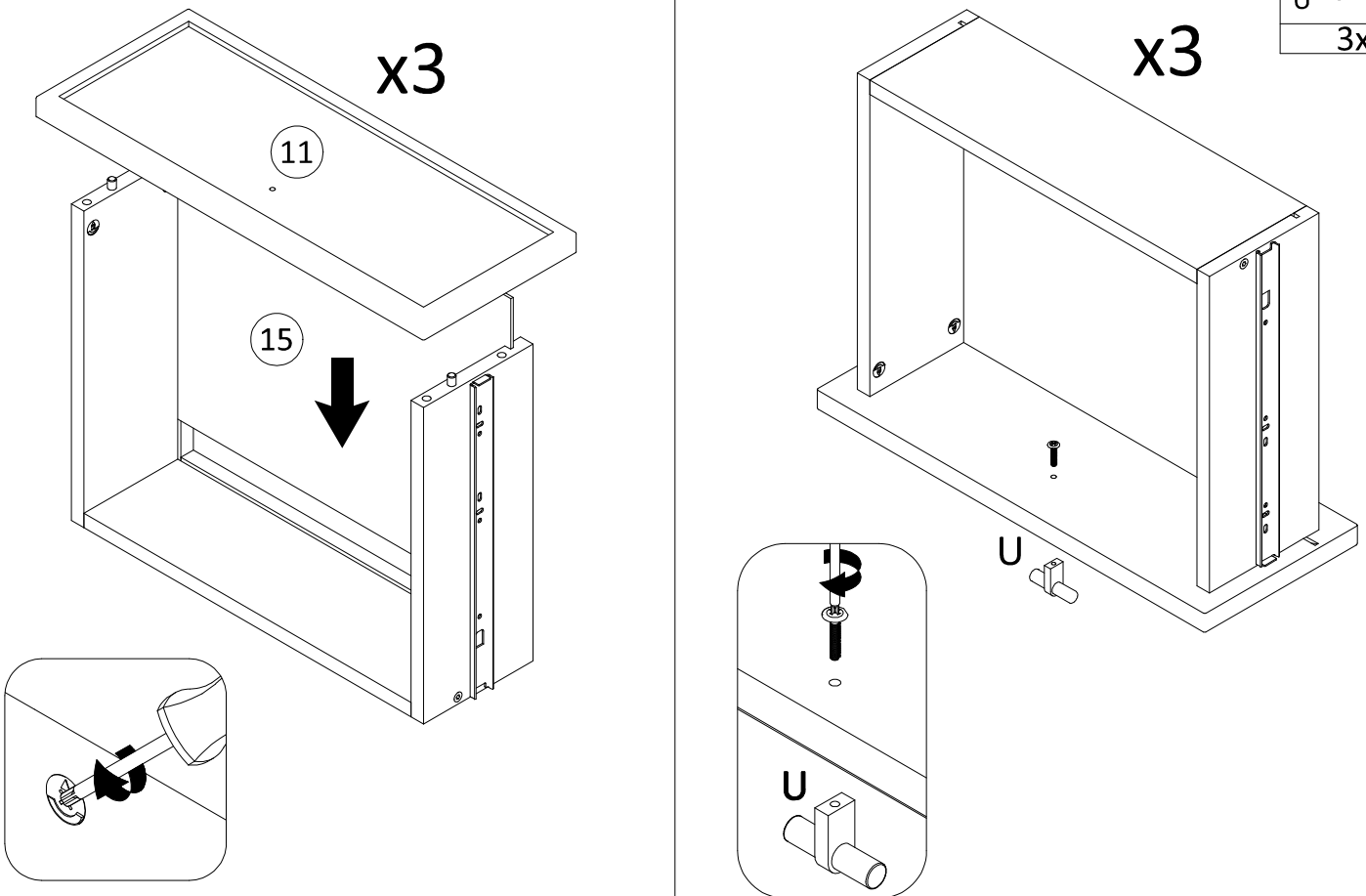
15

	
KF	KL
6x	1x

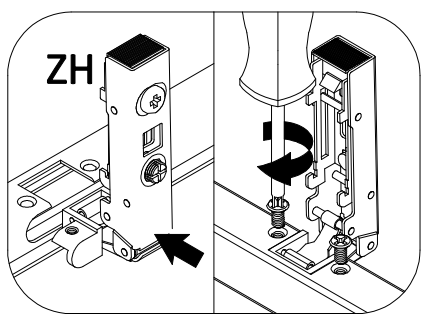
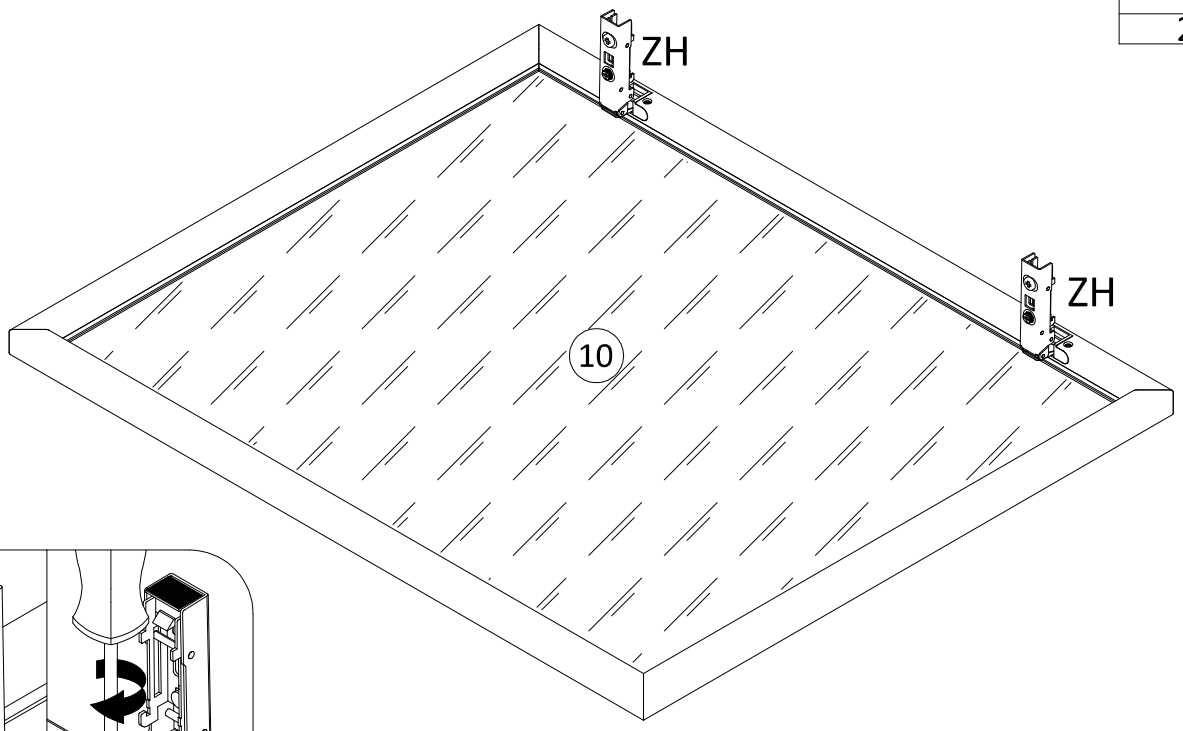
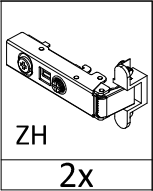


16

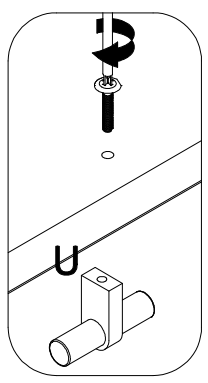
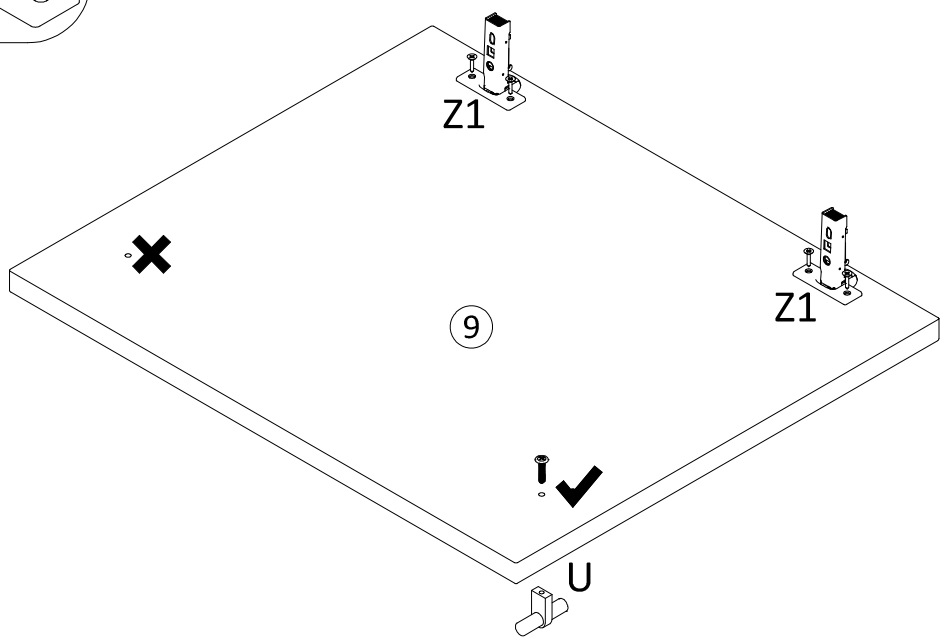
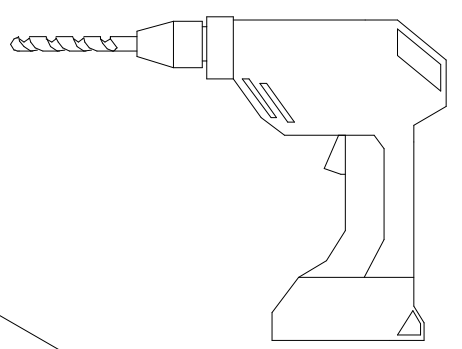
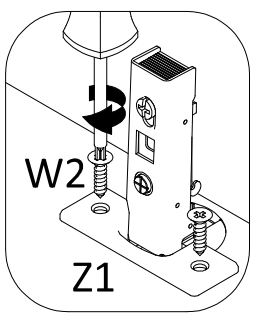
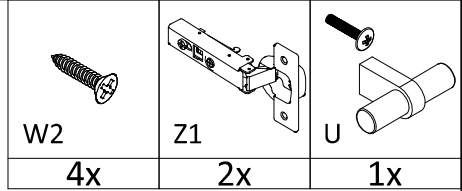

U
3x



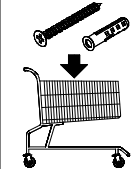

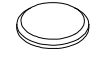
17

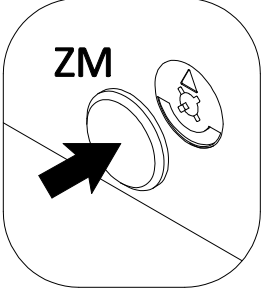
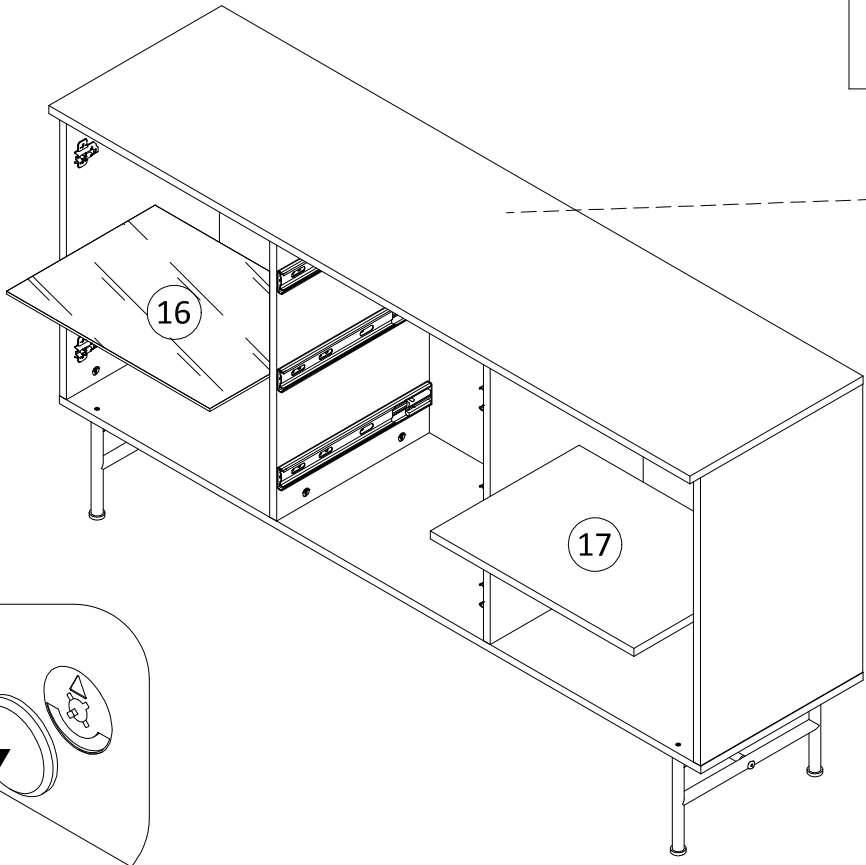



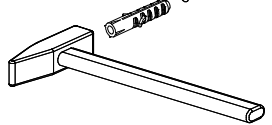
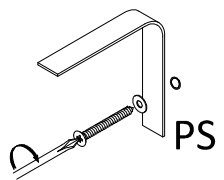
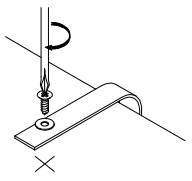
18



19

	 PS	 ZM
	1x	28x



- 1 
- 2 
- 3 
- 4 

20

